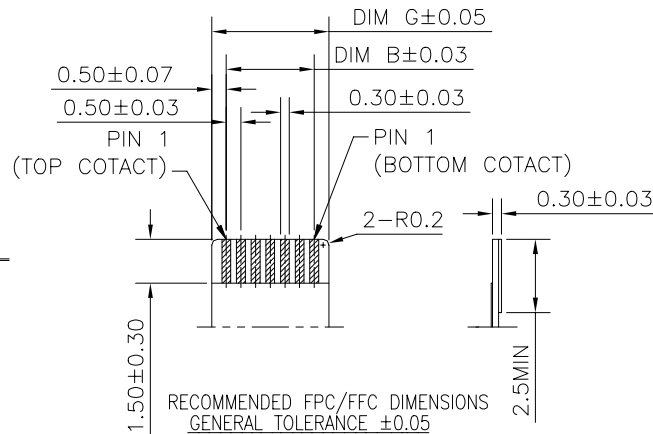
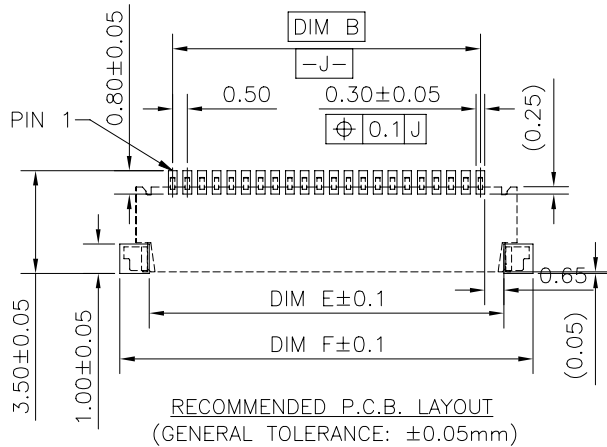
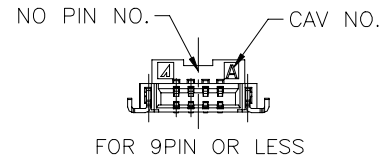
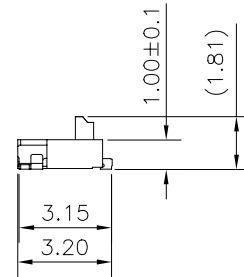


SECTION A-A  
SCALE 8:1



NOTES:

1. MATERIAL:

- 1.1 HOUSING: THERMOPLASTIC, HIGH TEMP.UL94V-0; COLOR:WHITE.
- 1.2 ACTUATOR: THERMOPLASTIC, HIGH TEMP.UL94V-0; COLOR:BLACK.
- 1.3 CONTACT: COPPER ALLOY
- 1.4 FITTING NAIL: COPPER ALLOY

2. FINISH:

2.1 CONTACT:

- 50u" MIN NICKEL UNDERPLATING OVERALL.
- M: 3u" GOLD ON CONTACT AND GOLD FLASH ON SOLDER
- B: 5u" GOLD ON CONTACT AND GOLD FLASH ON SOLDER
- T: 10u" GOLD ON CONTACT AND GOLD FLASH ON SOLDER

2.2 FITTING NAIL:

- 50u" MIN. NICKEL UNDERPLATING OVERALL.
- 100u" MIN. TIN PLATING ON SOLDER TAILS(LEAD FREE).

- 3. SPEC. PLS. REFER TO PS-52506-XXXXX-XXX
- 4. PACKAGE PLS. REFER TO 52520-XXXXX-XX-TRP
- 5. PART NUMBER

52520-XXX X X-XXX

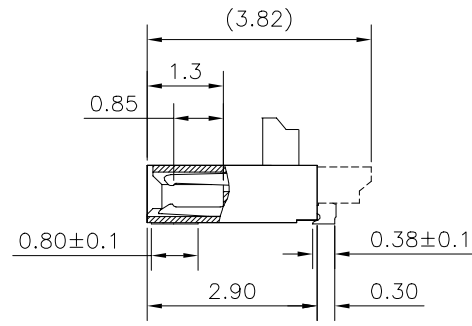
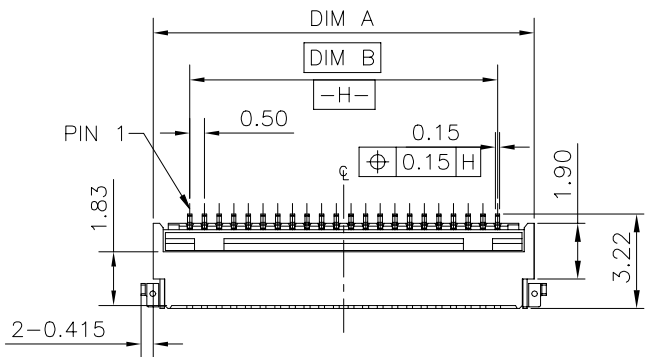
NO OF CKT | | 001: NORMAL TYPE

PACKING | | PLATING

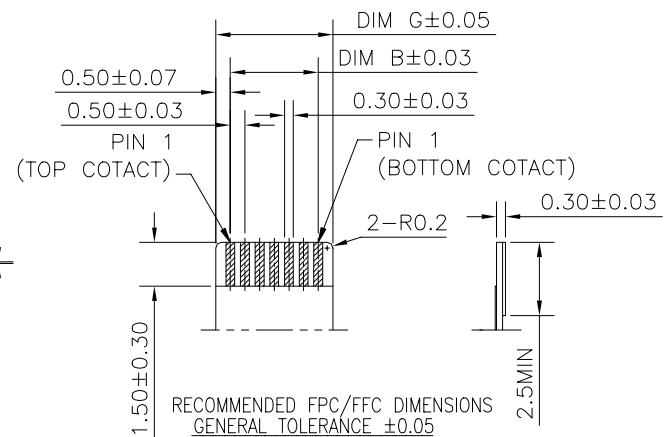
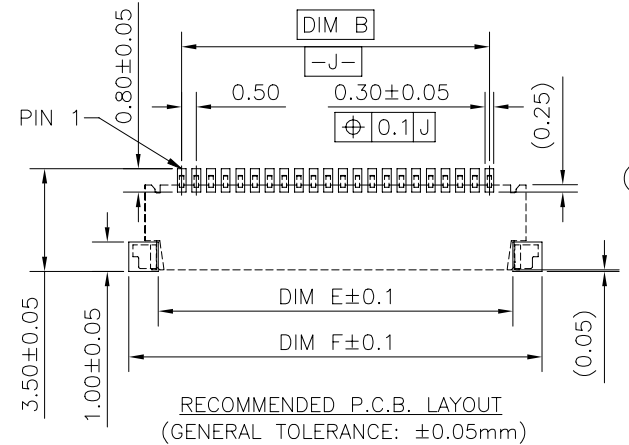
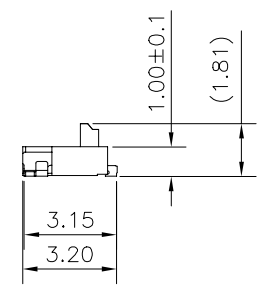
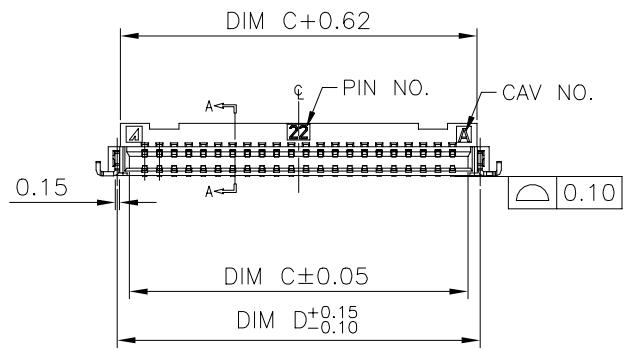
0:TAPE REEL | | M:3u" GOLD ON CONTACT  
B:5u" GOLD ON CONTACT  
T:10u" GOLD ON CONTACT

CKT	DIM A	DIM B	DIM C	DIM D	DIM E	DIM F	DIM G
6	5.00	2.50	3.55	4.38	4.10	6.10	3.50
8	6.00	3.50	4.55	5.38	5.10	7.10	4.50
12	8.00	5.50	6.55	7.38	7.10	9.10	6.50

<b>QUALITY SYMBOLS</b> MAJOR CRITICAL <b>GENERAL TOLERANCES (UNLESS SPECIFIED)</b> X. ±0.5 .XX ±0.25 .XXX ±0.1 ANGLES ±2°	DRAWN BY Huang, Yi Chun DATE '21/07/09	 <b>0.5MM PITCH ZIF BACK-FLIP FPC CONN SMT R/A D/C</b>
	CHECKED BY Wang, Kai Hung DATE '21/07/09	
	APPROVED BY Huang, Kuo Hua DATE '21/07/09	DWG NO. 52520-XXXXX-XXX
UNITS mm	 SCALE 4:1	SIZE A4
	SHEET NO. 1 OF 2	PART NO. SEE NOTES



SECTION A-A  
SCALE 8:1



- NOTES:
- MATERIAL:
    - HOUSING: THERMOPLASTIC, HIGH TEMP.UL94V-0; COLOR:WHITE.
    - ACTUATOR: THERMOPLASTIC, HIGH TEMP.UL94V-0; COLOR:BLACK.
    - CONTACT: COPPER ALLOY
    - FITTING NAIL: COPPER ALLOY
  - FINISH:
    - CONTACT:
      - 50u" MIN NICKEL UNDERPLATING OVERALL.
      - M: 3u" GOLD ON CONTACT AND GOLD FLASH ON SOLDER
      - B: 5u" GOLD ON CONTACT AND GOLD FLASH ON SOLDER
      - T: 10u" GOLD ON CONTACT AND GOLD FLASH ON SOLDER
    - FITTING NAIL:
      - 50u" MIN. NICKEL UNDERPLATING OVERALL.
      - 100u" MIN. TIN PLATING ON SOLDER TAILS(LEAD FREE).
  - SPEC. PLS. REFER TO PS-52506-XXXXX-XXX
  - PACKAGE PLS. REFER TO 52520-XXXXX-XX-TRP
  - PART NUMBER

52520-XXX X X-XXX  
 NO OF CKT | | | 001: NORMAL TYPE  
 PACKING | | | PLATING  
 0:TAPE REEL | | | M:3u" GOLD ON CONTACT  
 | | | B:5u" GOLD ON CONTACT  
 | | | T:10u" GOLD ON CONTACT

CKT	DIM A	DIM B	DIM C	DIM D	DIM E	DIM F	DIM G
18	11.00	8.50	9.55	10.38	10.10	12.10	9.50
20	12.00	9.50	10.55	11.38	11.10	13.10	10.50
26	15.00	12.50	13.55	14.38	14.10	16.10	13.50
30	17.00	14.50	15.55	16.38	16.10	18.10	15.50
32	18.00	15.50	16.55	17.38	17.10	19.10	16.50
34	19.00	16.50	17.55	18.38	18.10	20.10	17.50
36	20.00	17.50	18.55	19.38	19.10	21.10	18.50
40	22.00	19.50	20.55	21.38	21.10	23.10	20.50
45	24.50	22.00	23.05	23.88	23.60	25.60	23.00
50	27.00	24.50	25.55	26.38	26.10	28.10	25.50

<b>QUALITY SYMBOLS</b> MAJOR CRITICAL <b>GENERAL TOLERANCES (UNLESS SPECIFIED)</b> X. ±0.5 .X ±0.25 .XX ±0.15 .XXX ±0.1 ANGLES ±2°	DRAWN BY Huang, Yi Chun DATE '21/07/09	
	CHECKED BY Wang, Kai Hung DATE '21/07/09	
	APPROVED BY Huang, Kuo Hua DATE '21/07/09	UNITS <b>mm</b>
	SCALE <b>4:1</b>	SIZE <b>A4</b>
	SHEET NO. <b>2 OF 2</b>	DWG NO. <b>52520-XXXXX-XXX</b>
		PART NO. <b>SEE NOTES</b>